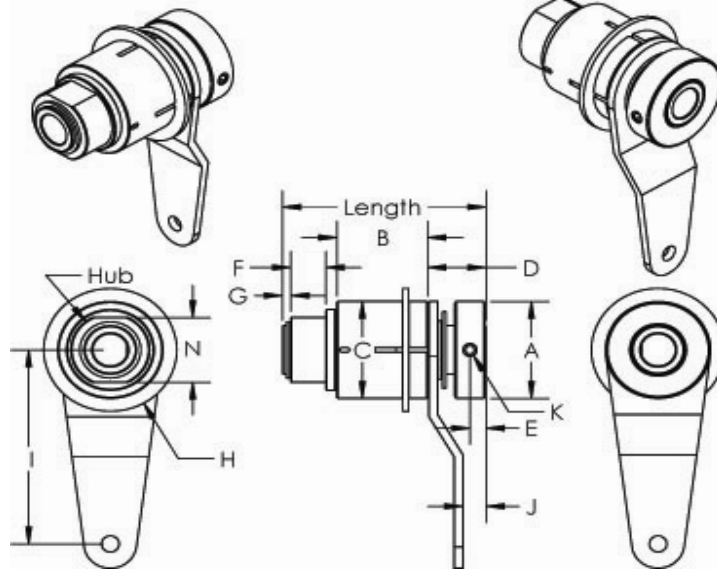


2425



Tiny-Clutch 2425 AD-Series Autodisconnect Clutch

Specifications:

Options:

Max Torque	15 in/lbs	Bore	6mm
Length	1.45 in	Mounting	Set Screw
Hub	0.562 in	Drive	Counter Clockwise
Dimension A	0.75 in	Input	Shaft
Dimension B	0.65 in	Hub Type	Plain Drum With Two Flats
Dimension C	0.75 in	Add-Ons	Arm Reversed
Dimension D	0.42 in		
Dimension E	0.12 in		
Dimension F	0.25 in		
Dimension G	0.06 in		
Dimension H	0.95 in		
Dimension I	1.50 in		
Dimension J	0.17 in		
Dimension K	6-32 Set Screw		
Dimension N	0.50 in		

Tiny-Clutch | Helander Products, Inc.

www.TinyClutch.com

TinyClutch@HelanderProducts.com

860.669.7953