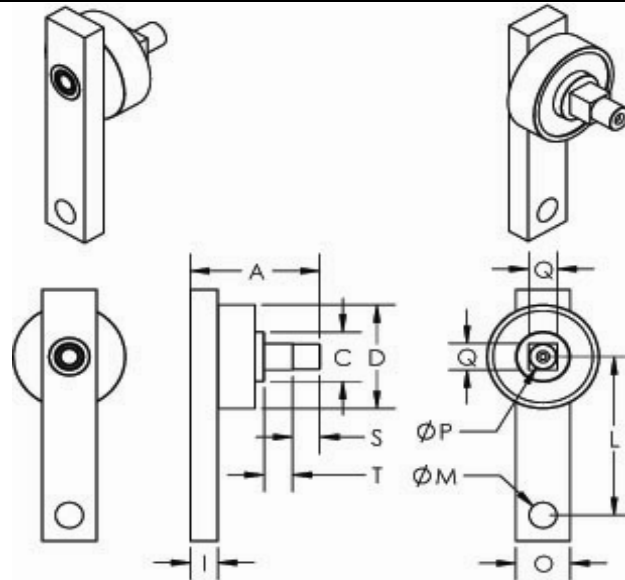


2536



Tiny-Clutch 2536 D-Series Roller Clutch

Specifications:		Options:	
Max Torque	50 in/lbs	Bore	N/A
Max Speed	2000 rpm	Mounting	10mm External Square
Dimension A	1.79 in	Drive	Clockwise
Dimension C	0.74 in	Add-Ons	Special Housing With Arm
Dimension D	1.55 in		
Dimension I	0.38 in		
Dimension L	2.365 in		
Dimension M	0.38 in		
Dimension O	0.75 in		
Dimension P	0.375 in		
Dimension Q	10mm		
Dimension S	0.375 in		
Dimension T	10mm		

Tiny-Clutch | Helander Products, Inc.

www.TinyClutch.com

TinyClutch@HelanderProducts.com

860.669.7953