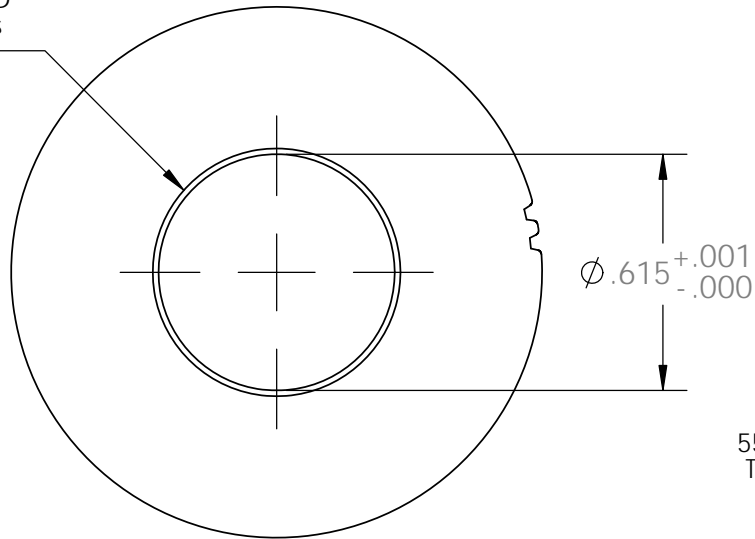
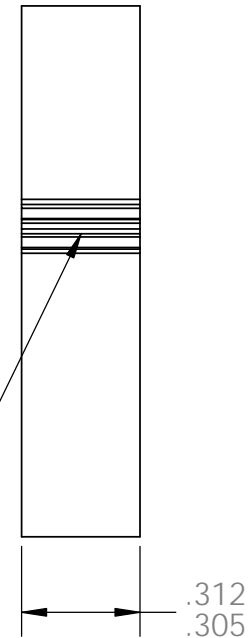


Chamfer ID  
Both Sides  
.010-.020



55T, MXL Pitch  
Timing Pulley



Make From Stock Drive # A 6A15-055MXL07 Or Equal.

REV	DESCRIPTION	DATE	UNLESS OTHERWISE SPECIFIED:	<h2 style="text-align: center;">55T, MXL Pulley</h2>			<h1>Tiny-Clutch</h1>		
A	Redraw.	9/25/12	DIMENSIONS ARE IN INCHES TOLERANCES: FRACTIONAL $\pm .010$ TWO PLACE DECIMAL $\pm .010$ THREE PLACE DECIMAL $\pm .005$				<b>Helander Products, Inc.</b> Clinton, Connecticut <a href="http://www.TinyClutch.com">www.TinyClutch.com</a> P = 860-669-7953   F = 860-669-6756		
			<b>PROPRIETARY AND CONFIDENTIAL</b> THE INFORMATION CONTAINED IN THIS DRAWING IS THE SOLE PROPERTY OF HELANDER PRODUCTS, INC. ANY REPRODUCTION IN PART OR AS A WHOLE WITHOUT THE WRITTEN PERMISSION OF HELANDER PRODUCTS, INC. IS PROHIBITED.	DRAWN BY: P3 MATERIAL: Aluminum			SIZE <b>A</b>	DWG. NO. <b>1922</b>	REV <b>A</b>
				SCALE: 2:1	DATE: 9/25/2012	SHEET 1 OF 1			