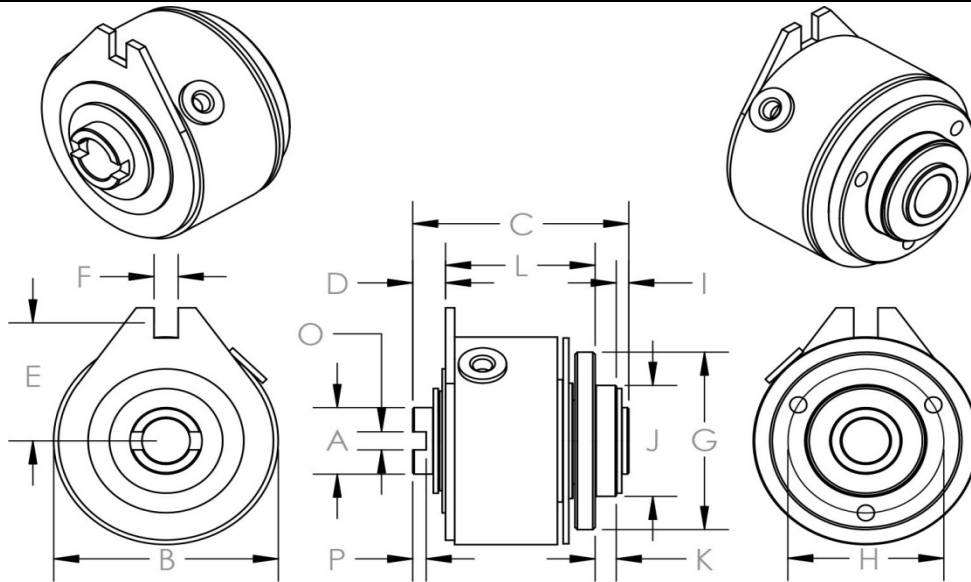


M50SL



Tiny-Clutch M50SL M-Series Magnetic Spring Clutch

Specifications:

Max Torque	25 in/lbs
Max Speed	3000 rpm
Dimension B	1.17 in
Dimension C	1.13 in
Dimension D	0.17 in
Dimension E	0.67 in
Dimension F	0.13 in
Dimension G	1.00 in
Dimension H	0.812 in B.C.
Dimension I	0.07 in
Dimension J	0.625 in
Dimension K	0.11 in
Dimension L	0.78 in
Dimension O	0.101 in
Dimension P	0.07 in

Options:

Bore	1/8", 3/16", 1/4", 5/16", 3mm, 4mm, 5mm, 6mm, 7mm, 8mm
Mounting	Cross Slot,
Drive	Clockwise, Counter Clockwise
Voltage	6VDC, 12VDC, 24VDC, 90VDC
Hub Type	3-Hole Drum

Tiny-Clutch | Helander Products, Inc.

www.TinyClutch.com

TinyClutch@HelanderProducts.com

860.669.7953